

# StarShower™ Window Wonderland™

**IMPORTANT SAFETY INSTRUCTIONS, READ AND FOLLOW ALL WARNINGS AND INSTRUCTIONS BEFORE USING THIS PRODUCT. INJURY CAN RESULT FROM IMPROPER USE. SAVE THESE INSTRUCTIONS.**

Model: 94583

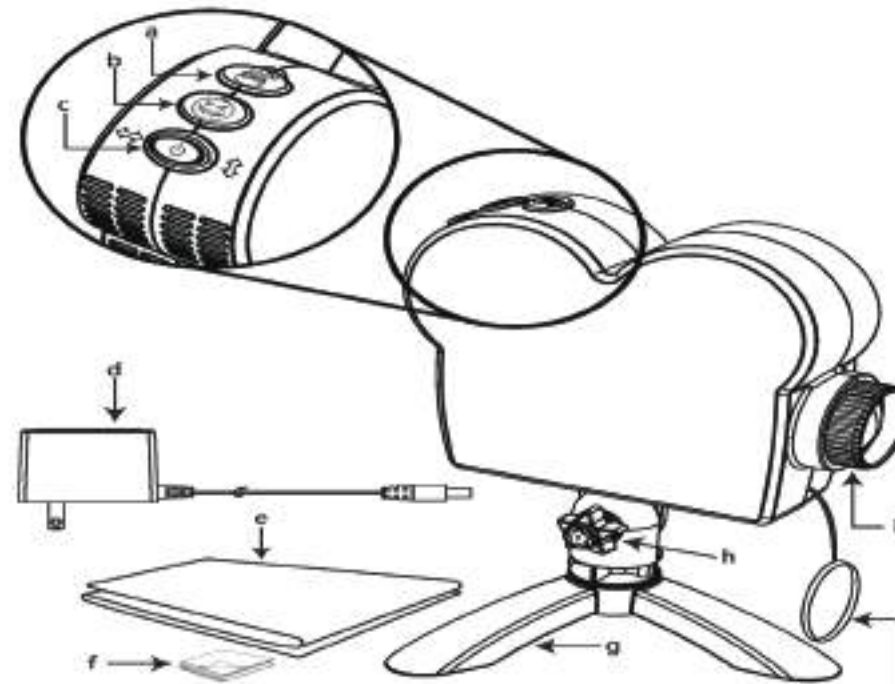
## WARNING

- Window Wonderland™ is for indoor use only. Do not attempt to use outdoors.
- Do not use in an environment that has a high moisture content.
- Do not store or use this product near sources of heat or fire.
- Always operate in a well ventilated area and make sure not to obstruct the vents located on the main housing.
- Only use the provided power adapter, using an adapter from another device might create a fire hazard or damage the Window Wonderland™.
- Unplug the unit when leaving the house, and also when retiring for the night. Never leave unattended.
- This is an electric product-not a toy! To avoid risk of fire, burns, personal injury and electric shock it should not be played with or placed where small children can reach it.
- Do not use this product for other than its intended use.

## CAUTION

- To reduce the risk of electric shock, use only with the power adapter provided with this product.
- Do not use a cracked, frayed, or damaged power adapter cord. Inspect the power adapter cord periodically.
- Do not abuse the power adapter - Do not carry the product by the cord or yank or pull the cord to disconnect the power adapter from the outlet.
- Disconnect the product from the outlet when not in use.

## Product Information



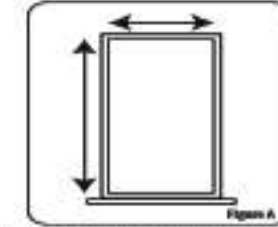
- a. Christmas Movie Button
- b. Halloween Movie Button
- c. Power/Vertical or Horizontal Button
- d. Power Adapter
- e. 1.2m x 1.8m (4 x 6 ft.) White Translucent Projection Screen
- f. Adhesive Hook and Loop Fasteners
- g. Tripod Base
- h. Angle Adjustment Knob
- i. Lens
- j. Lens Cap

PRODUCT MAY VARY FROM IMAGES SHOWN

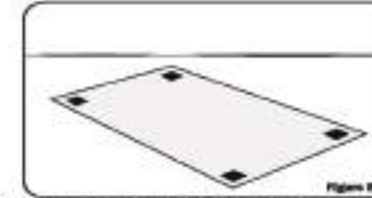
## Translucent Projection Screen Set Up:



1. Choose a window where you want to display movies. Please note the movies can be displayed vertically or horizontally.



2. Measure the height and width of the desired window. (Figure A)

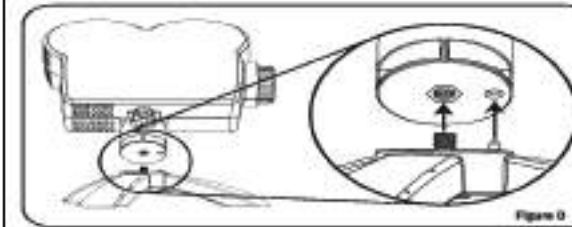


3. Cut the Translucent Projection Screen to measurements taken. Next, peel off the paper backing on a single side of the hook and loop fasteners and apply one to each corner of the translucent projection screen. (Figure B)

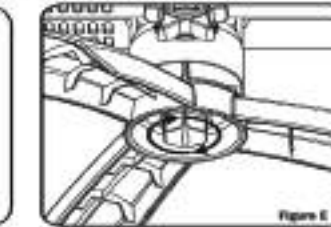


4. Before installing the translucent projection screen, thoroughly clean the intended window. With the hook and loop fasteners attached to the translucent projection screen, peel the remaining paper backing off and stick onto the window. (Figure C) When it is time to remove the projection screen, carefully peel off so as not to damage the surface of the window frame.

## Base Set Up:



1. Line up the bottom attachment screw and guide pin. (Figure D)

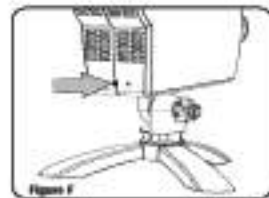


2. Turn the bottom faster clockwise to lock the base to the rest of the unit. (Figure E)

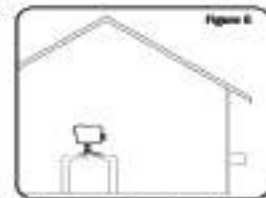
## Projector Set Up:

Projection Distance	Vertical Movies			Horizontal Movies		
	Height	Width	Diagonal	Height	Width	Diagonal
1.2m (39 ft.)	81 cm (26")	45 cm (15")	92 cm (30")	45 cm (15")	81 cm (26")	92 cm (30")
2.4m (78 ft.)	162 cm (53")	90 cm (30")	184 cm (60")	90 cm (30")	162 cm (53")	184 cm (60")
3.6m (117 ft.)	243 cm (80")	135 cm (45")	276 cm (91")	135 cm (45")	243 cm (80")	276 cm (91")
4.8m (156 ft.)	324 cm (107")	180 cm (60")	368 cm (121")	180 cm (60")	324 cm (107")	368 cm (121")

1. When picking a location to place the Window Wonderland™, refer to the chart above to make sure you have the correct distance to window for the desired coverage.



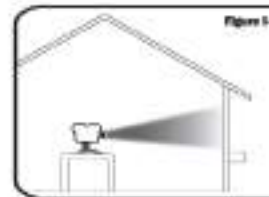
2. Plug the power adapter into the back of the unit. The power port is located in the back of the unit. (Figure F) Next, plug the other end into a known working outlet.



3. Remove the protective cap and place the Window Wonderland™ on a steady, level surface. Make sure the Window Wonderland™ is placed at the appropriate distance from the window. (Figure G)



4. Turn on your Window Wonderland™ by pushing down the toggle switch to either side. Pushing the toggle switch to the right will produce images in a vertical orientation and pressing the toggle to the left will produce images in a horizontal orientation. (Figure H)



5. Aim the Window Wonderland™ in a way that the projected movies take up the entire window. (Figure I-1) You can adjust the angle of the Window Wonderland™ by loosening the thumbscrew. (Figure I-2) Don't forget to tighten the thumbscrew when you are done adjusting the angle.



6. The focus can be adjusted by turning the lens in either direction. (Figure J)

## Selecting a Movie:

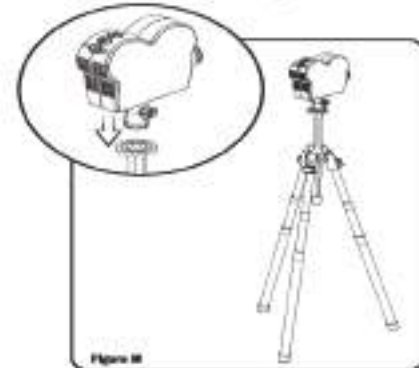


1. To activate Halloween themed movies, simply press the orange pumpkin icon. This icon will display 1 of 6 Halloween movies. To cycle through the movies, continuously click the pumpkin icon. Once movie has been selected, it will play repeatedly until changed. (Figure K)



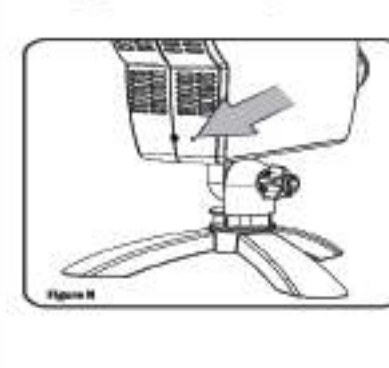
2. To activate Christmas themed movies, simply press the green Santa icon. This icon will display 1 of 6 Christmas movies. To cycle through the movies, continuously click the Santa icon. Once movie has been selected, it will play repeatedly until changed. (Figure L)

## Using Your Own Tripod:



1. Your Window Wonderland™ has the ability to be connected to a traditional tripod (not included). Simply unscrew the base that is included and screw the Window Wonderland™ onto the tripod. (Figure M)

## Using Your Own Speakers:



1. Connecting speakers to your Window Wonderland™ is easy. Simply plug them into the audio port located on the back of the unit. Window Wonderland™ will play sound effects that go along with the movie that is playing. (Figure N)

The lighting apparatus is a Class B apparatus compliant with the CAN ICES-005/NMB-005 for lighting equipment norm from the Ministry of Innovation, Science and Economic Development of Canada.

### LIMITATION OF LIABILITY

Liability limited to the purchase price of this product. Supertek Canada Inc. shall not be liable for any incidental or consequential damages or any implied warranty on this product.

**TV/Supertek™**

Distributed by  
Supertek Canada Inc.  
Mont-Royal, Qc H4T 1X2  
Made in China.

Customer Service:  
1-800-304-8354