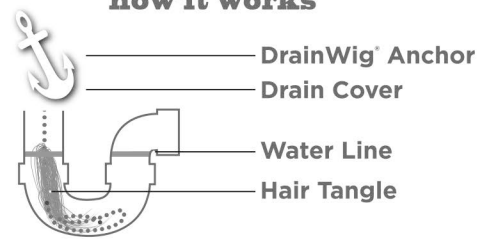




# DRAINWIG® HAIR CATCHER FOR BATHTUBS

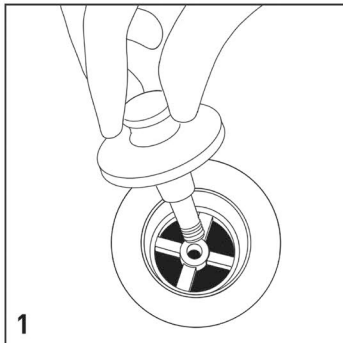
how it works



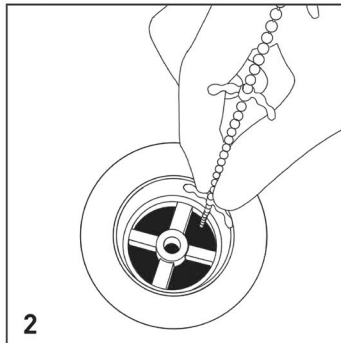
## INSTALLATION:

FIRST TIME USE: EXISTING HAIR OR CLOG MUST BE REMOVED FROM DRAIN FOR DRAINWIG® HAIR CATCHER TO WORK PROPERLY. NOTE: IF USING A LIQUID DRAIN CLEANER FOLLOW THE RECOMMENDED INSTRUCTIONS. BE SURE TO THOROUGHLY FLUSH OUT PIPE WITH RUNNING WATER BEFORE INSTALLING YOUR DRAINWIG® HAIR CATCHER.

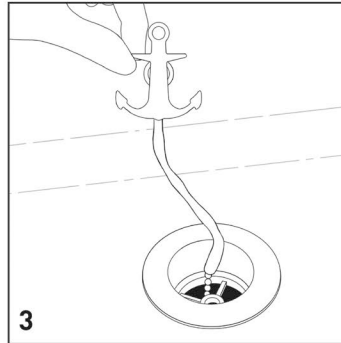
### TWIST AND CLOSE OR PUSH PULL STOPPER DRAIN INSTALLATIONS:



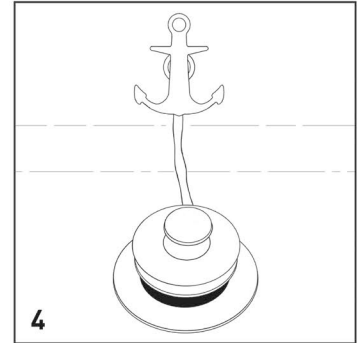
- CLEAR EXISTING CLOG
- REMOVE DRAIN STOPPER



- INSERT CHAIN, GUIDING RUBBER WHISKERS THROUGH CROSSBAR
- TURN ON WATER AND CHAIN WILL FLOW INTO PLACE

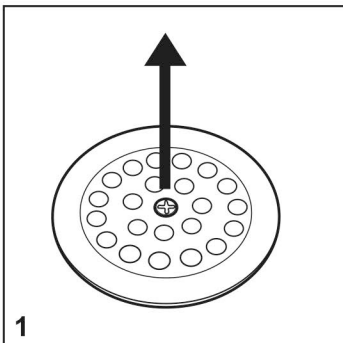


- ATTACH SUCTION CUP TO BATHTUB
- REPLACE STOPPER

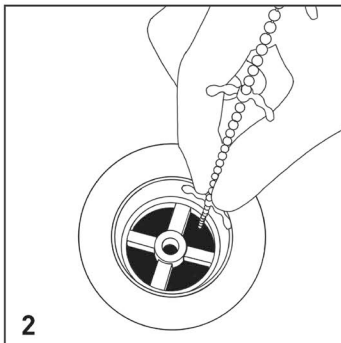


- LEAVE IN DRAIN TO CATCH HAIR
- REMOVE AND REPLACE AS NEEDED (TYPICALLY 2-4 MONTHS).

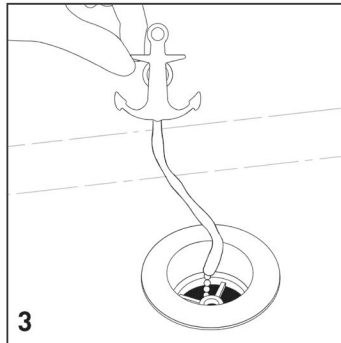
### TRIP LEVER DRAIN INSTALLATION:



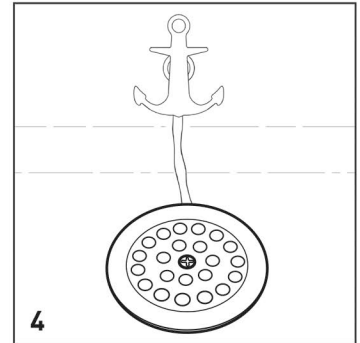
- CLEAR EXISTING CLOG
- REMOVE SCREW LOCATED IN CENTER OF DRAIN CAP.



- REMOVE DRAIN CAP.
- INSERT CHAIN, GUIDING RUBBER WHISKERS THROUGH CROSSBAR.
- TURN ON WATER AND CHAIN WILL FLOW INTO PLACE



- ATTACH SUCTION CUP TO BATHTUB
- REPLACE STOPPER



- REPLACE DRAIN CAP AND TIGHTEN SCREW.
- LEAVE IN DRAIN TO CATCH HAIR
- REMOVE AND REPLACE AS NEEDED (TYPICALLY 2-4 MONTHS).

**NOW YOU CAN LET YOUR HAIR DOWN, YOUR DRAINS ARE PROTECTED!**

#### HELPFUL HINTS:

WHEN WATER STARTS TO DRAIN SLOWLY, THE DRAINWIG® HAIR CATCHER NEEDS TO BE REPLACED

**WARNING:** KEEP OUT OF REACH OF CHILDREN. THIS PRODUCT IS NOT A TOY. USE THIS PRODUCT ONLY AS INTENDED.



Distributed by: Supertek Canada Inc.  
Mont-Royal, Qc H4T 1X2  
client@supertek.ca

Customer Service: 1-800-304-8354