



Distributed by  
Supertek Canada Inc.  
Mont-Royal, QC H4T 1X2

Customer Service:  
1-800-304-8354

#### LIMITATION OF LIABILITY

Liability limited to the purchase price of this product.  
Supertek Canada Inc. shall not be liable for any incidental or consequential  
damages or any implied warranty on this product.




**IMPORTANT SAFETY INSTRUCTIONS, READ AND FOLLOW ALL WARNINGS AND INSTRUCTIONS  
BEFORE USING THIS PRODUCT. INJURY CAN RESULT FROM IMPROPER USE.  
SAVE THESE INSTRUCTIONS.**

### **WARNING**

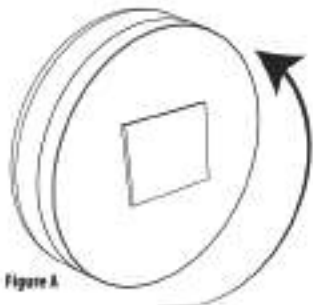
- **AVOID EYE INJURY**- Do not shine the light beam directly into anyone's face or stare directly into the beam. If this product is used improperly it could cause retina damage. This product is also not recommended for use by anyone under the age of 14.
- Batteries must be installed correctly. Not doing so could cause permanent damage to the LED. Always follow the battery manufacturer's instructions for the correct storage, handling and disposal of the batteries.
- Do not mix old and new batteries.
- Do not mix alkaline, standard (carbon zinc) or rechargeable (nickel-cadmium) batteries.

### **WARNING**

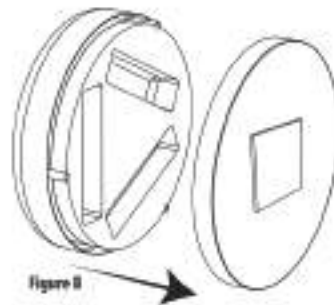
-  **HARMFUL IF SWALLOWED.**  
**KEEP BATTERIES AWAY FROM CHILDREN.**

PRODUCT MAY VARY FROM IMAGES SHOWN

#### BATTERY INSTALLATION

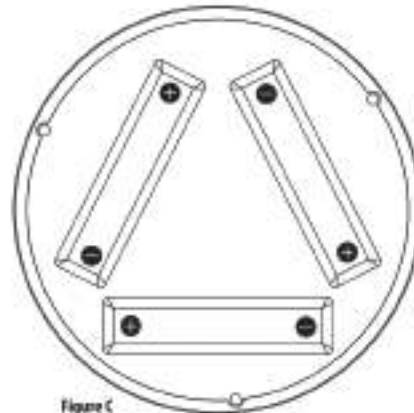


1. Twist counter clockwise to unlock.  
(Figure A)



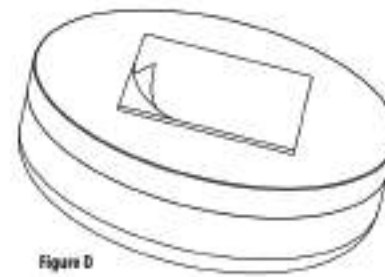
2. Pull the battery cover off.  
(Figure B)

3. Insert 3 AAA batteries (Not Included) into the battery compartment. Make sure to line up the positive (+) and negative (-) markings on the battery with the positive (+) and negative (-) markings on the battery compartment. (Figure C)

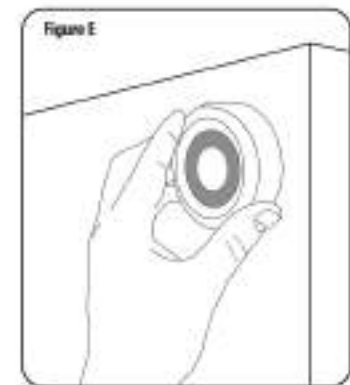


4. Once the batteries are installed, put the battery cover on by twisting it clockwise until secured.

#### HOW TO USE



1. Peel off the paperbacking on the double sided tape.  
(Figure D)



2. Stick onto any hard smooth surface.  
(Figure E)

3. Turn ON/OFF by pressing the center clear lens.  
(Figure F)

